



MEMS mass flow meters

General purpose applications

MF4000 series

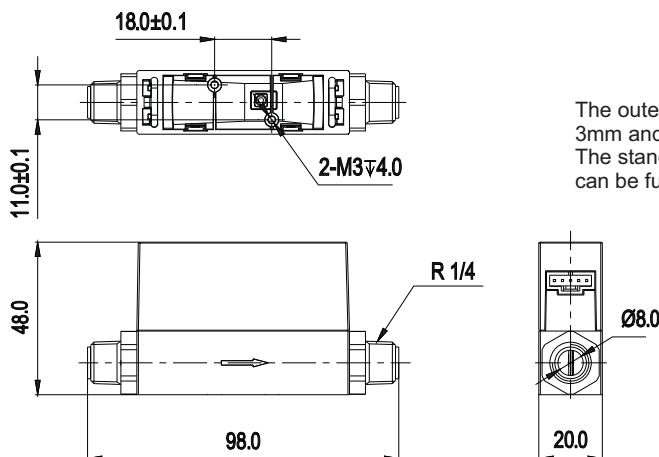
This series of mass flow meters with customer programming panel are designed for general purpose gas mass flow measurement with the Company's proprietary MEMS sensing technology. Both electronic and mechanical interfaces can be opted by customers.

Features

- ⊙ General purpose gas mass flow metrology
- ⊙ Fast response time, customizable to 1 msec
- ⊙ Two standard channel sizes, $\Phi 3$ and 8mm
- ⊙ Large dynamic ranges over 100:1
- ⊙ Optional mechanical and electrical interfaces
- ⊙ Customer accessible front panel for parameters

Applications

- * General purpose flow measurement
- * Air sampler/analyzer
- * Anesthesia equipment
- * Instrumentation
- * Process monitor with dry gases
- * Automation



The outer mechanical dimensions for both 3mm and 8mm flow channel are identical. The standard BSPT/Rc threaded adapters can be fully replaced by customized ones.



Siargo Ltd.

Santa Clara, California

www.Siargo.com

408.969.0368

info@Siargo.com

Specifications

Model	MF4003	MF4008	Unit
Flow range	0 ~ 2... 5	0 ~ 10... 50	SLPM
Accuracy	$\pm(1.5+0.2FS)$		%
Turn-down ratio	> 100:1		
Power consumption	≤ 50.0		mW
Response time	10 (default, 50, 100, 200, 500, 1000 selectable)		msec
Maximum pressure rating	0.5		MPa
Maximum pressure loss	100 (MF4003)/600 (MF4008)		Pa
Temperature	- 10 ~ 55		°C
Power supply	8 ~ 24		Vdc
Null shift	± 30.0		mV
Temperature coefficient	± 0.12		%/°C
Output	LED, RS232/RS485/I ² C; Analog 0.5 ~ 4.5 Vdc		
Mechanical connection	BSPT (Rc) 1/4		
Weight	60/80 (with one-touch connectors)		g

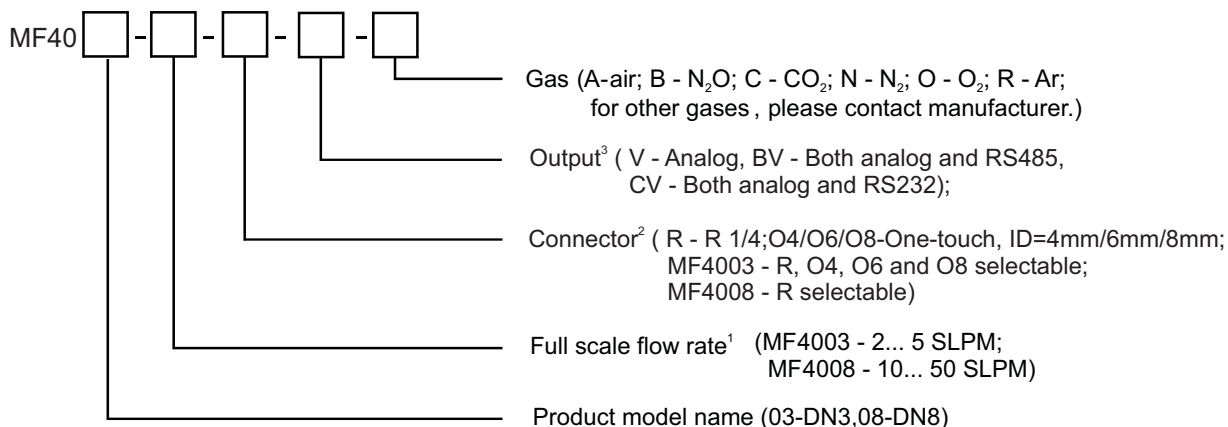
Notes: * The above parameters are applicable at 20°C and 101.325kPa, air calibration.

** Digital interface can be customized.

*** Mechanical adapters can be customized.

Order information

The sensor part number is composed of the model number and suffixes indicating the full scale flow rate, output format as well as the calibration gas. Refer to the followings for details.



1. Numerical maximum flow rate only, for example, 30 meaning full scale flow rate of 30SLPM.

For CO₂ and N₂O, selectable: 2, 3 and 4 SLPM (5 SLPM is not available); 10, 20, 30 and 40 SLPM (50 SLPM is not available).

2. For other mechanical connectors, please contact manufacturer.

3. The sensor shipped with standard analog output. RS232/RS485 is optional. For others, please contact manufacturer.

• Please find your local sales contact at www.Siargo.com.

• For detailed product information or user manual please contact manufacturer.