



MEMS Mass Flow Meters

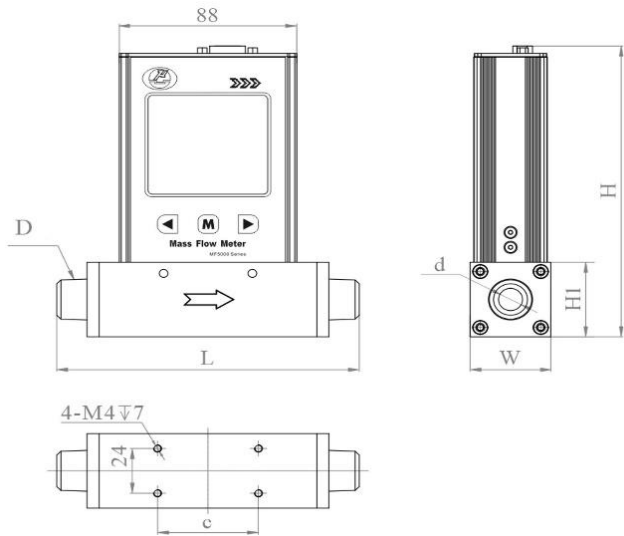
With calorimetric sensing

MF5000 Series

MF5000 series mass flow meters are designed for general purpose flow metering and control applications and are made with Siargo's proprietary MEMS mass flow sensing technology and smart electronic circuitry. The meters directly measure mass flow with a very low pressure loss. It has a wide spectrum of selections in pipe diameter, range, gas type, etc. The current models can be readily applied to industrial gas process and control, gas; and other applications in laboratory and test benches

MF5000 can measure a flow from 0.15 up to 800 SLPM. The connectors can be fully customized.

Dimensions



Model	DN	D	L	H	H ₁	W	d	C
MF5003	3.0	1/8"	118	144	28	38	Φ3	36
MF5006	6.0	1/4"	124	144	28	38	Φ6	36
MF5008	8.0	3/8"	124	151	35	38	Φ8	50
MF5012	12.0	1/2"	150	156	40	40	Φ12	50
MF5019	19.0	3/4"	182	156	40	40	Φ19	70

Siargo Ltd.
 Santa Clara, California
www.Siargo.com
 408.969.0368
info@Siargo.com

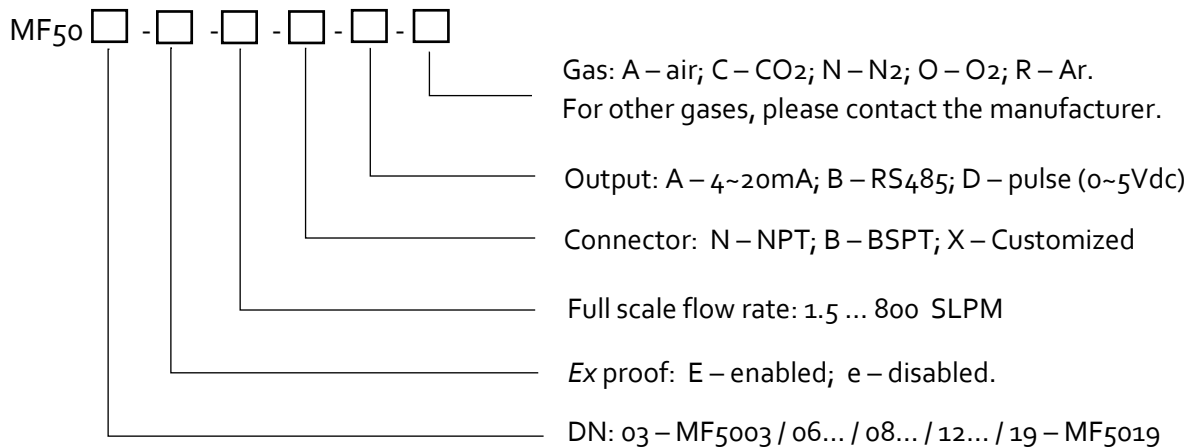


Specifications

Flow range	0~1.5, 15(MF5003) / 50(MF5006) / 120(MF5008) / 300(MF5012) / 800(MF5019)	SLPM
Accuracy	±(1.5+0.5FS)	%
Repeatability	0.5	%
Power supply	8~24 (50mA)	Vdc
Output	RS485 / 4~20mA / pulse 0~5Vdc	
Pressure rating	1.5	MPa
Temperature	-20 ~ 60	°C
Humidity	<95 (no condensation)	%RH
Pin-out	DB9	
Calibration	Air @ 20°C, 101.325 kPa	
Hazardous rating	Ex ia II C T4	

Note: Parameters specified at the calibration conditions.

Product selection



- Note:**
1. For CO₂, the full-scale flow rate is 80% of air.
 2. For explosion-proof models, the LCD / display is not offered.
 3. The default flow range is 100:1 – or the minimal flow rate is 0.01 times the full scale.