



MEMS Mass Flow Meters

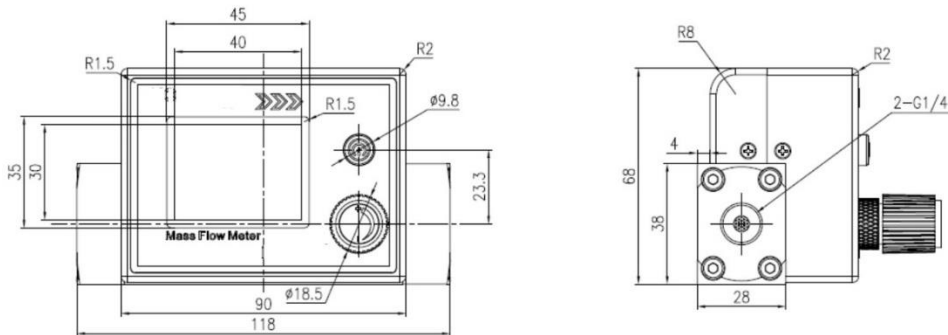
With precision control valve

MF5100V Series

MF5100V series mass flow meters are designed for flow metering and control with mobile power applications and are made with Siargo's proprietary MEMS low power mass flow sensors and smart electronic circuitry. The meters directly meter and control the mass flow with a very precise manual control valve. The current models can be readily applied to regulate such as gas cylinder delivery for medical purposes on an ambulance or other cases where direct power is not available. Other applications include laboratory and pharmaceutical process control.

MF5100V can measure a flow up to 50 SLPM. The connectors can be fully customized.

Dimensions



Siargo Ltd.
Santa Clara, California
www.Siargo.com
408.969.0368
info@Siargo.com

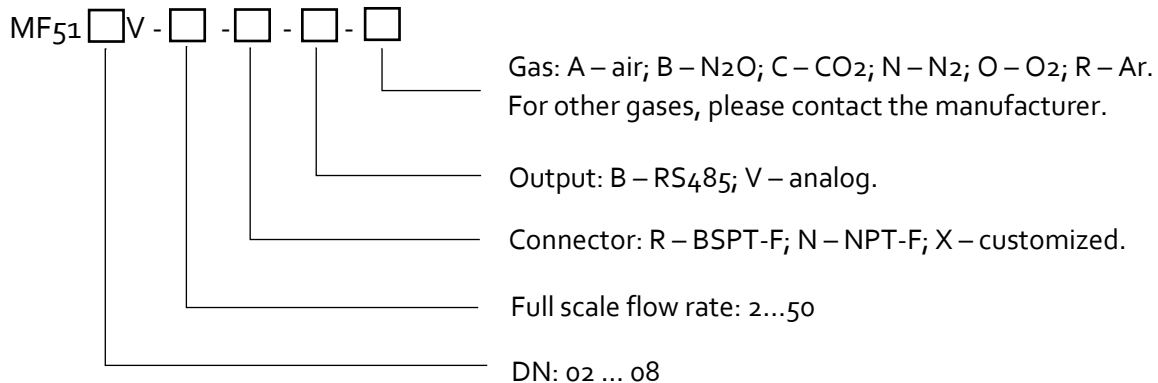


Specifications

Flow range	0~2...50	SLPM
Accuracy	$\pm(1.5+0.2FS)$	%
Repeatability	0.25	%
Response time	200	msec
Power supply	Lithium ion C-Cell / 8~24 Vdc	
Battery life	>2 (normal usage)	Year
Output	LCD 6 digital / RS485 Modbus	
Pressure sensitivity	Null	
Pressure rating	0.8	MPa
Temperature	-10 ~ 55	°C
Humidity	<95 (no condensation)	%RH
Mechanical connection	BSPT / NPT	
Pin-out	5 pins, M8	
Calibration	Air @ 20°C, 101.325 kPa	
Valve	NS1.5 (29.8), SS	
Protection	IP50	
Storage temperature	-20 ~ 70	°C

Note: Parameters specified at the calibration conditions.

Product selection



Note: For CO₂ and N₂O, the full-scale flow rate is 80% of air.