



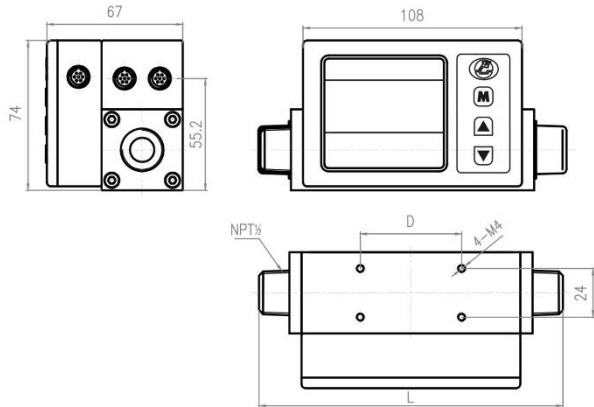
MEMS Mass Flow Meters With calorimetric sensing

MF5600 Series

MF5600 series mass flow meters are designed for general purpose flow metering and control applications where a detachable meter head is required for some distance data reading. The meters directly measure mass flow with a very low pressure loss. The current models can be readily applied to hospital oxygen delivery management, and industrial process monitor and gauge; and other applications such as welding gas equipment, and food and beverage process.

MF5600 can measure a flow up to 800 SLPM. The connectors can be fully customized.

Dimensions



| | D | L | N |
|------|------|-------|------|
| 5612 | 50.0 | 150.0 | 1/2" |
| 5619 | 70.0 | 182.5 | 3/4" |

Siargo Ltd.
Santa Clara, California
www.Siargo.com
408.969.0368
info@Siargo.com



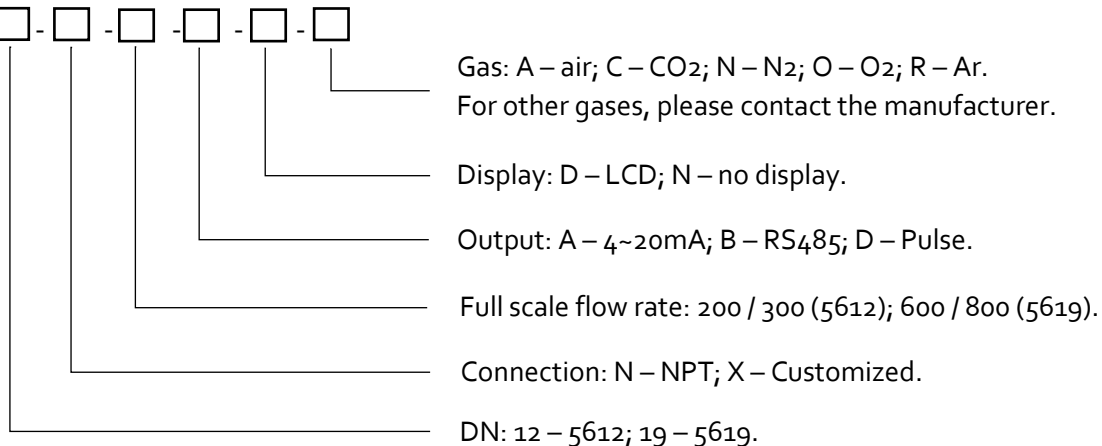
Specifications

| | | |
|-----------------------|---|------|
| Flow range | 0~200...300 (5612) / 0~600...800 (5619) | SLPM |
| Initial flow rate | 0.3 / 0.8 | SLPM |
| Accuracy | ±(1.5+0.5FS) | % |
| Repeatability | 0.5 | % |
| Power supply | 12~24 (50mA) | Vdc |
| Output | RS485 / 4~20mA / Pulse | |
| Pressure rating | 1.0 | MPa |
| Temperature | -10 ~ 55 | °C |
| Humidity | <95 (no condensation) | %RH |
| Mechanical connection | NPT-F ½" / NPT-F ¾" | |
| Cable | LCD cable / data cable | |
| Calibration | Air @ 20°C, 101.325 kPa | |
| Storage temperature | -20 ~ 70 | °C |

Note: Parameters specified at the calibration conditions.

Product selection

MF56 - - - - -



Note: 1. For CO₂ and N₂O, the full-scale flow rate is 80% of air.

2. Cable order code: **IC7-150** – data cable; **IC7-30-IC7 / IC7-200-IC7** – detachable display cable.
Numerical is the length of the cable in cm.