



# MEMS Mass Flow Meters

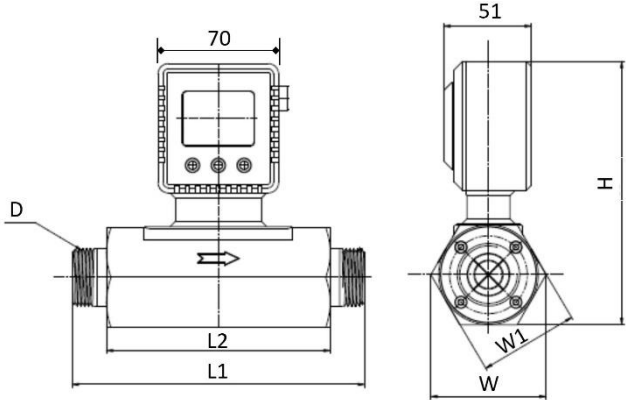
With thermal time-of-flight sensing

## MF5900 Series

**MF5900 series mass flow meters** are designed for general purpose flow metering and control applications and are made with Siargo's proprietary MEMS thermal time-of-flight sensing technology and smart electronic circuitry. The meters will measure mass flow while having very high sensitivity at low flow, meter selective gases without requiring the gas transfer data. The current models allow the user to program various functions and can be readily applied to low flow natural gas and process metering, and other process control applications.

MF5900 can measure a flow up to 5000 SLPM with a 2" pipe. The connectors can be customized.

### Dimensions



	L1	L2	W1	W2	H
5925	130	170	67	58	153
5950	150	200	76	68	165

**Siargo Ltd.**  
 Santa Clara, California  
[www.Siargo.com](http://www.Siargo.com)  
 408.969.0368  
[info@Siargo.com](mailto:info@Siargo.com)



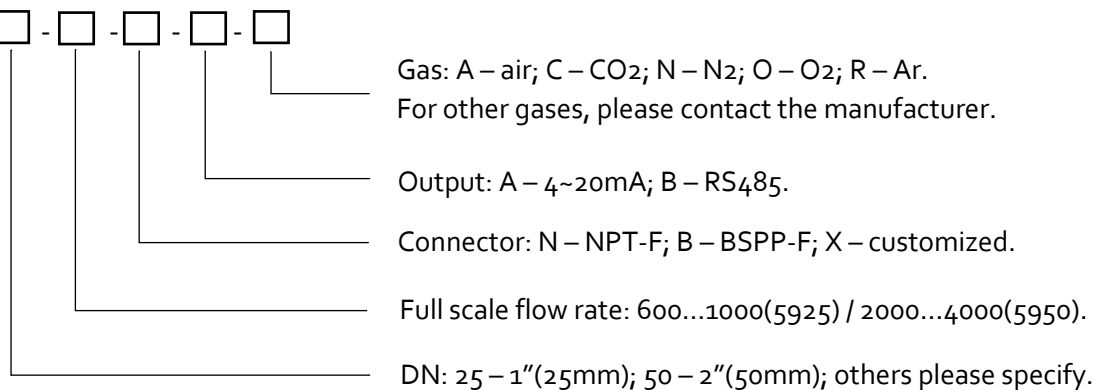
## Specifications

Flow range	0~600...1000 (5925) / 0~2000...4000 (5950)	SLPM
Accuracy	±(1.5+0.25FS)	%
Repeatability	0.5	%
Response time	200	msec
Power supply	8~24 (50mA)	Vdc
Output	RS485 Modbus / 4~20mA	
Pressure loss (max.)	<1.6 @ 1000 SLPM (5925)	kPa
Pressure rating	0.8	MPa
Temperature	-10 ~ 55	°C
Humidity	<95 (no condensation)	%RH
Mechanical connection	NPT-F	
Pin-out	M12	
Protection	IP66 (NEMA 4x)	
Calibration	Air @ 20°C, 101.325 kPa	
Storage temperature	-20 ~ 70	°C

**Note:** Parameters specified at the calibration conditions.

## Product and order selection

MF59 -  -  -  -  -



**Note:** For CO<sub>2</sub>, the full-scale flow rate is 90% of air.